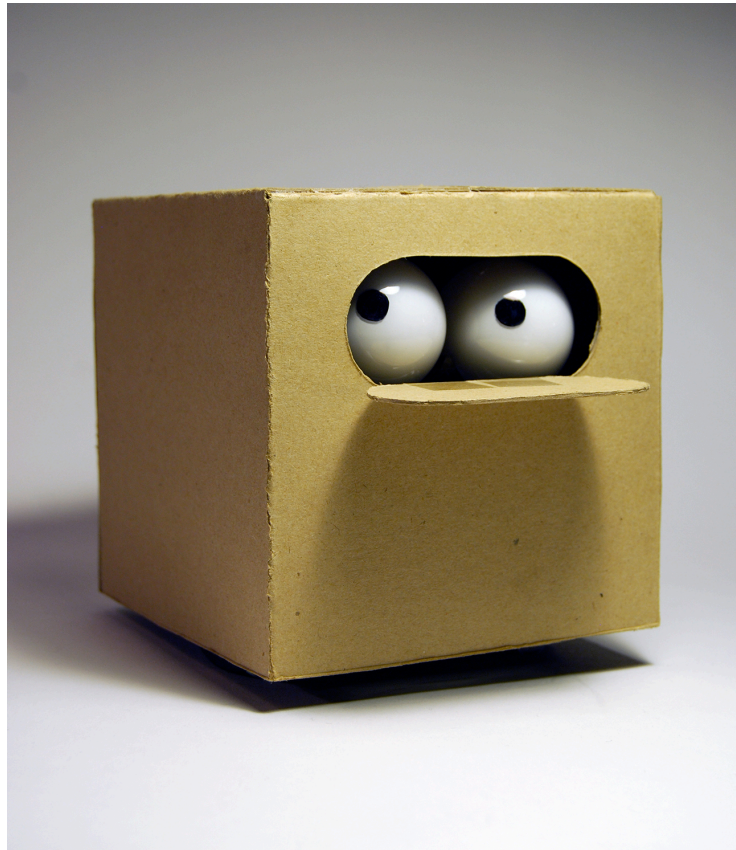


# Ubrukelige og meningsløse roboter



løser ikke-eksisterende problemer



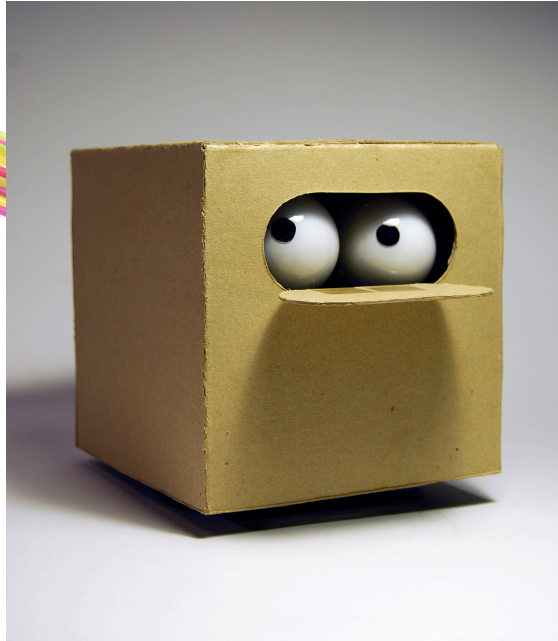
**Inspirasjon: The queen of shitty robots (Youtube)**

# Designprosess

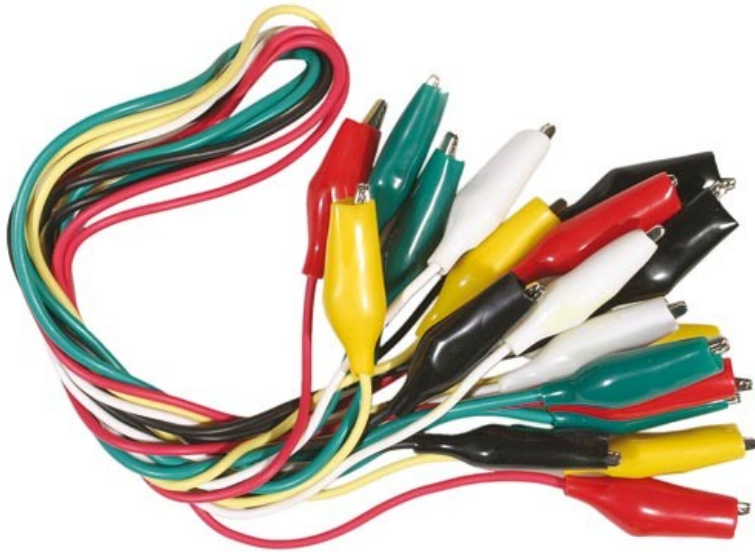
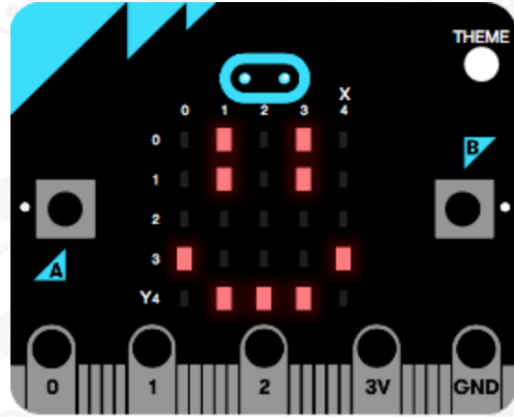
- Finn et problem som trenger å løses
  - Så meningsløst som mulig
- Tenk ut hvordan en robot kan ”løse” problemet ditt
- Design roboten din og programmet
- Lag en prototyp med tilgjengelige materialer, micro:bit, servoer
- Presenter design, kode og prototyp



# Bygg og programmer en prototype



# Bruk micro:bit, servo og kabler



# Programmer på microbit.org

The screenshot displays the microbit.org web interface. At the top, the navigation bar includes the 'micro:bit' logo, 'Projects', 'Blocks' (selected), 'JavaScript', 'Help', and 'Microsoft' logo. On the left, a virtual micro:bit board is shown with a temperature sensor connected to pin 0 and a servo motor connected to pin P0. The temperature display shows 21°C. A central sidebar lists various block categories: Basic, Input, Music, Led, Radio, Loops, Logic, Variables, Math, and Advanced. The main workspace shows a 'forever' loop containing the following code blocks: 'set temp to temperature (°C)', 'show number temp', an 'if' block with condition 'temp > 28' containing 'servo write pin P0 to 90' and 'pause (ms) 300000', an 'else if' block with condition 'temp ≤ 28' containing 'servo write pin P0 to 0', and a 'pause (ms) 100000' block. At the bottom, there is a 'Download' button, a search bar containing 'tetrekkerobot', and navigation controls for back, forward, and search.

# EKSEMPEL

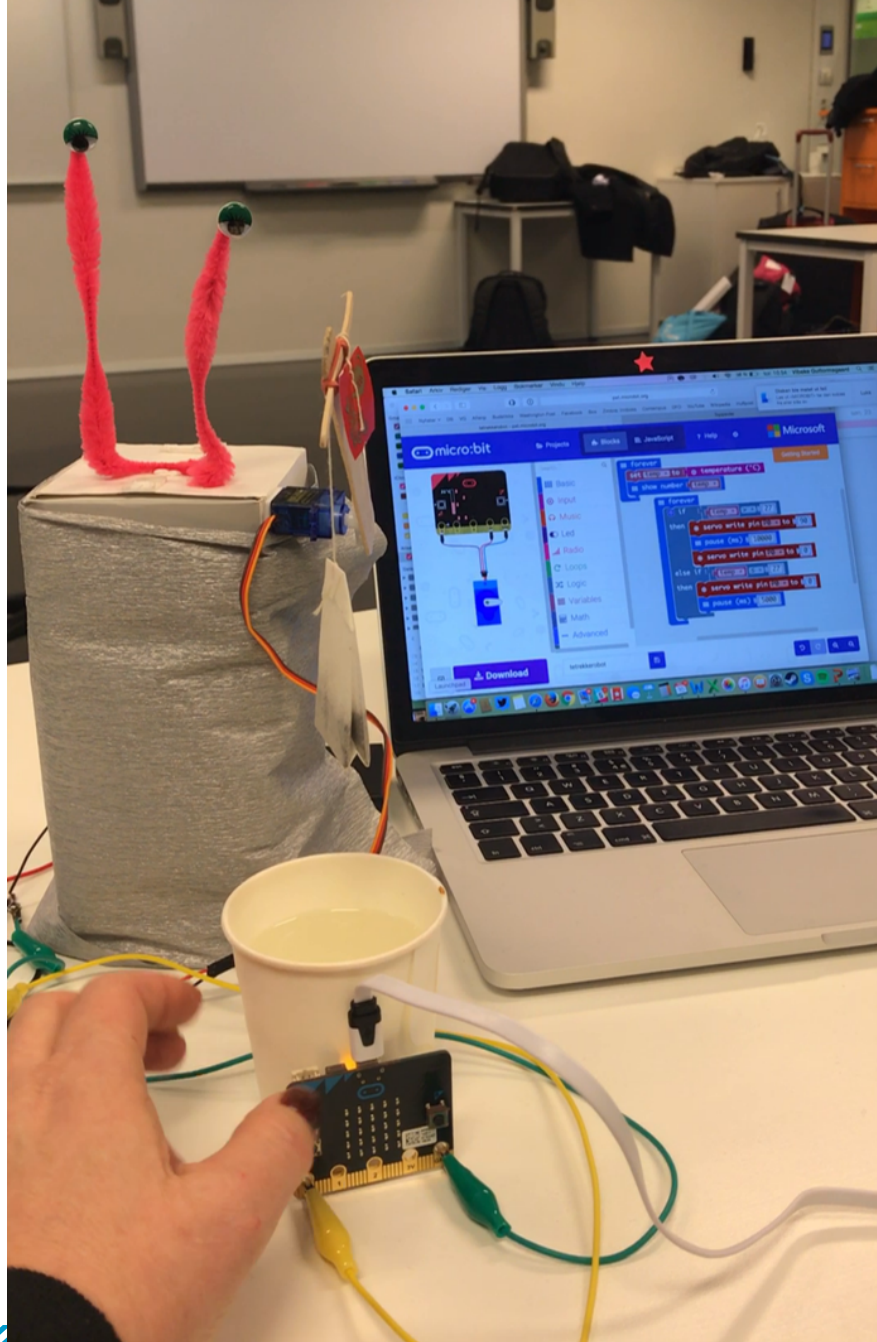
## **Problem:**

Glemmer å ta opp teposen, så  
teen blir alt for sterk

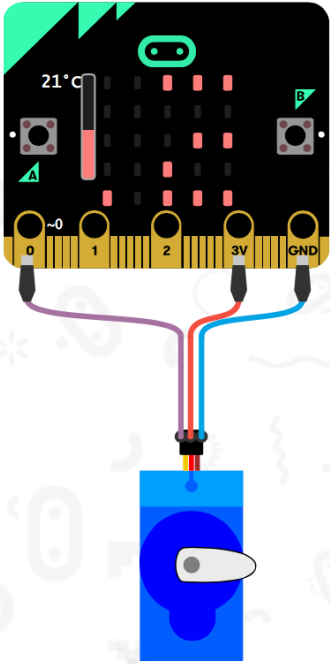


# Løsning:

# Te-roboten







Search...

- Basic
- Input
- Music
- Led
- Radio
- Loops
- Logic
- Variables
- Math
- Advanced

Getting Started

```

forever
  set temp to temperature (°C)
  show number temp
  if temp > 28
  then
    servo write pin P0 to 90
    pause (ms) 300000
    servo write pin P0 to 0
    pause (ms) 100000
  else if temp ≤ 28
  then
    servo write pin P0 to 0
  
```

Download

tetrekkerobot

Navigation icons: Refresh, Undo, Redo, Zoom In, Zoom Out